

# Coin Adjuster Rev. 5

## Owners Manual

The Deltronic Labs Coin Adjuster reduces the payout of a coin hopper by an operator selectable ratio. Set the DIP switches for the desired ratio. The ratio can be changed at any time without removing power. This version is not for use with coin hoppers that use an input pulse interface.

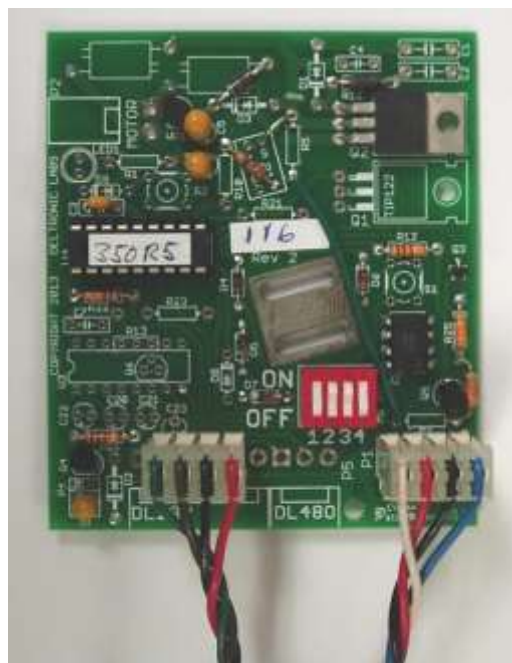
Ratio	Switch			
	1	2	3	4
1:1	OFF	OFF	OFF	OFF
2:1	<i>on</i>	OFF	OFF	OFF
3:1	OFF	<i>on</i>	OFF	OFF
4:1	<i>on</i>	<i>on</i>	OFF	OFF
5:1	OFF	OFF	<i>on</i>	OFF
6:1	<i>on</i>	OFF	<i>on</i>	OFF
7:1	OFF	<i>on</i>	<i>on</i>	OFF
8:1	<i>on</i>	<i>on</i>	<i>on</i>	OFF
9:1	OFF	OFF	OFF	<i>on</i>
10:1	<i>on</i>	OFF	OFF	<i>on</i>
11:1	OFF	<i>on</i>	OFF	<i>on</i>
12:1	<i>on</i>	<i>on</i>	OFF	<i>on</i>
13:1	OFF	OFF	<i>on</i>	<i>on</i>
14:1	<i>on</i>	OFF	<i>on</i>	<i>on</i>
15:1	OFF	<i>on</i>	<i>on</i>	<i>on</i>
16:1	<i>on</i>	<i>on</i>	<i>on</i>	<i>on</i>

The input from the game is a 4 pin connector.

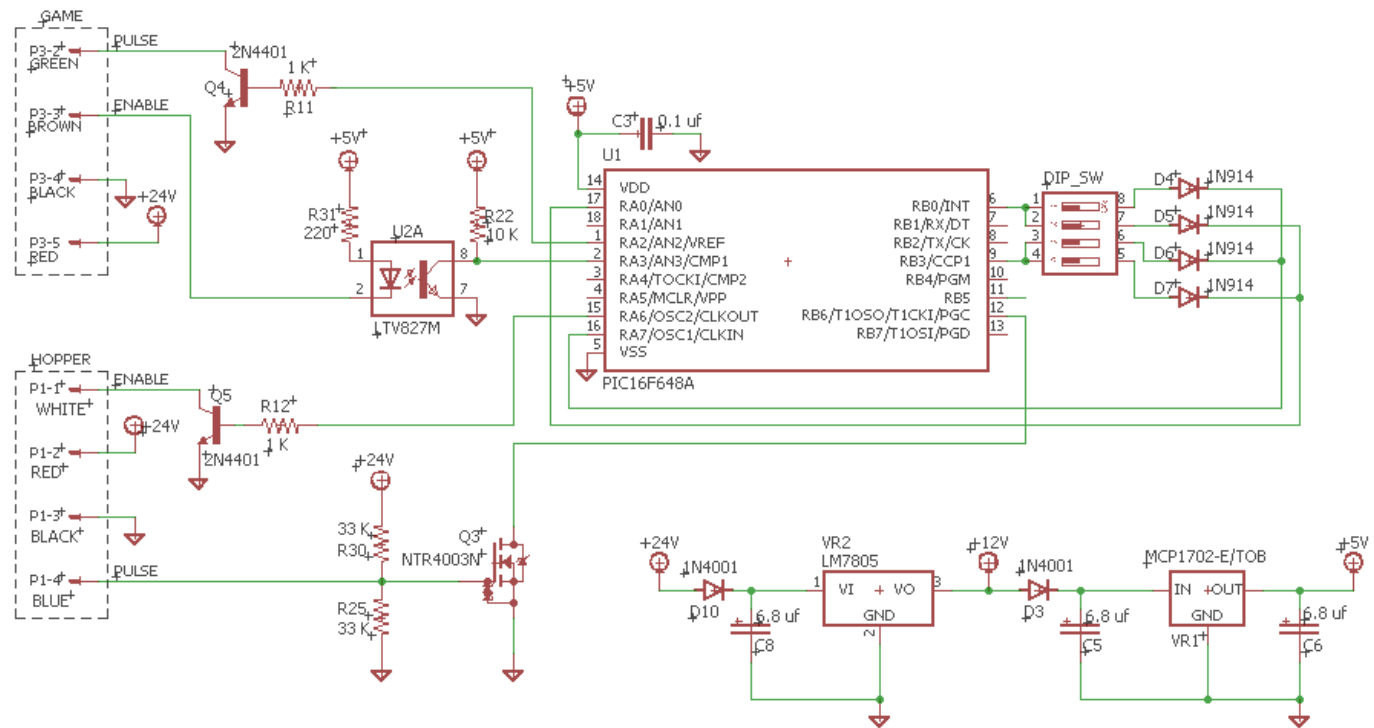
Pin	Function	Wire Color	Game Pin
P3.2	Pulse output to game	Green	5
P3.3	Enable input from game	Brown	1
P3.4	Ground	Black	6
P3.5	+12 to +24 V	Red	2

The output to the hopper is a 4 pin connector.

Pin	Function	Wire Color	Hopper Pin
P1.1	Enable output to hopper	White	1
P1.2	+12 to +24 V	Red	2
P1.3	Ground	Black	6
P1.4	Pulse input from hopper	Blue	5



Absolute maximum input voltage is 25 VDC.  
For technical help call (215) 997-8616.



GAME		
PIN	FUNCTION	COLOR
P3.2	PULSE OUT TO GAME	GREEN
P3.3	ENABLE IN FROM GAME	BROWN
P3.4	GROUND	BLACK
P3.5	+12 to +24V	RED

HOPPER		
PIN	FUNCTION	COLOR
P1.1	ENABLE OUT TO HOPPER	WHITE
P1.2	+12 to +24V	RED
P1.3	GROUND	BLACK
P1.4	PULSE IN FROM HOPPER	BLUE

## Coin Adjuster w/ 12 V Regulator

TITLE: DL-480 rev 2d (R5)

Date: 7/13/2015 8:40 AM

Sheet: 1/1

